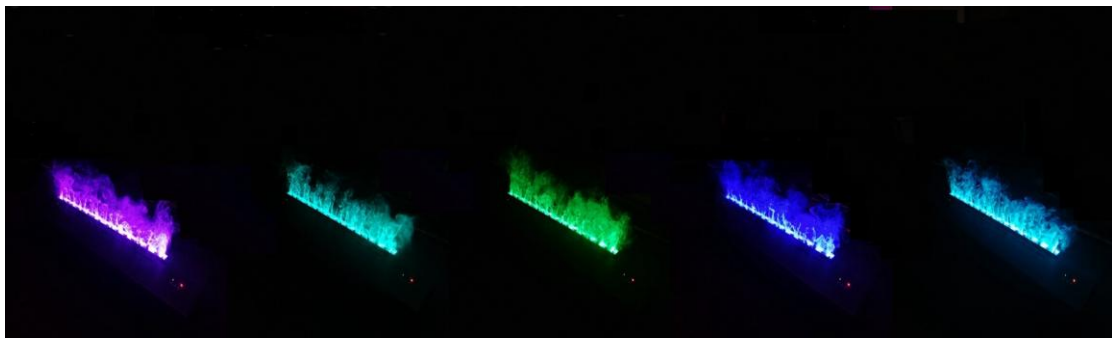


User Guide

-----Art Intelligent Water Fires

Magic Fires Here...



Intelligent Ethanol Fireplace & Intelligent Water Fireplace



U.S.: Federal
Communications
Commission (FCC)



Canada: Industry
Canada (IC)



Japan: Ministry of Internal
Affairs and
Communications (MIC)



Korea: Korea
Certification (KC)



Europe: Conformite
Europeenne (CE)

Art Fireplace Technology Limited.

PROFESSIONAL INTELLIGENT FIREPLACE MANUFACTURER

Official Website: www.art-fire.com

E-mail: info@art-fireplace.com

Address: ROOM1405C, 14/F., LUCKY CENTRE, 165-171 WANCHAI ROAD, WANCHAI, HONG KONG.

3D Water Vapor Fireplaces

Featured Functions:

1. **Easy Control: Button ON/OFF and Remote controller and Smartphone Control(optional)**
2. **Material in stainless and MDF**
3. **Flame Height Adjustable**
4. **Flame Speed: Adjustable**
5. **Flame Multiple Colors(optional)**
6. **Halogen Light and LED Light**
7. **Automatic Fill The Tank**
8. **Automatic Drainage system**
9. **Green Energy Conservation**
10. **Overflow protection function**
11. **Overvoltage protecting and power leakage protecting functions**

Related Models of 3D water vapor fires:

3D Water Vapor Fire Model AFW50 with 50cm Long

3D Water Vapor Fire Model AFW60 with 60cm Long

3D Water Vapor Fire Model AFW80 with 81cm Long

3D Water Vapor Fire Model AFW100 with 101cm Long

3D Water Vapor Fire Model AFW120 with 121cm Long

3D Water Vapor Fire Model AFW150 with 151cm Long

3D Water Vapor Fire Model AFW180 with 181cm Long

3D Water Vapor Fire Model AFW180 with 181cm Long

Any Customized Sizes are Available.



USER GUIDE

ART FIREPLACE MODELS:

Ethanol Fires:AF40,AF50,AF66,AF80,AF100,AF120,AF150,AF180,AF200,AF220...

Square Burner:AS50 **Round Burner:**AR70

Wall Mount Fireplaces:AH66,AH100,

3 Side Fireplace:ATS50,ATS66,ATS80,ATX100

3D Water Vapor Fires:AFW60,AFW80,AFW100,AFW120,AFW150,AFW180...

Customized Burners/Fireplaces are available.

Made to measure burners have the same technical equipment.

1. WARNING!

Before any use, please read the User Guide.

This apparatus is manufactured to have intermittent functioning.

Use your device only in well ventilated areas.

Installing the fireplace horizontally (check it with a spirit level). Fix it strongly against the wall or on the ground.

2. TECHNICAL CHARACTERISTICS OF THE DEVICES

Reference	Output (Watts)	Consumption (Litre/hour)	Tank capacity (Litres)	Dimensions L x W x H (cm)	Weight (Kgs)	Minimum volume * (m3)
Single Color Models						
AFW80	180	0.17	2.1	81*25*22	23	90
AFW100	210	0.20	2.7	101*25*22	27	120
AFW120	275	0.25	3.5	121*25*22	36	150
AFW150	350	0.30	4.7	151*25*22	45	180
AFW180	400	0.35	5.9	181*25*22	54	210
Multicolor Models						
AFW80	110	0.17	2.1	81*25*22	23	90
AFW100	120	0.20	2.7	101*25*22	27	120
AFW120	140	0.25	3.5	121*25*22	36	150
AFW150	160	0.30	4.7	151*25*22	45	180
AFW180	180	0.35	5.9	181*25*22	54	210

*Minimum volume of room advised (m3)

Device equipped volts-110/240 V AC 50-60 Hz.

Device equipped with a remote control (Battery included).

Device equipped with some spare parts.(Remote Controller, Plastic Tube etc...)

Never start an device which will be unattended afterwards.

3, PREPARATION OF THE DEVICE BEFORE USE

Remove the packaging of your device.

Keep the plastic tube, remote controller, power plug, etc

Verify that there is no object in the device. Remove it if necessary.

Devices **MUST BE** mounted on the wall, fixed on the ground or built-in.

● Fireplaces installation

A mounting bar with holes is supplied with wall fireplaces

Use a spirit level to ensure that the bar is straight; fix it by using appropriate screws according to the type of chosen wall.

With the help of another person, hang the fireplace in position.

Check that the fireplace has a right level by using a spirit level.

● Burners Installation

Build-in the burners according to the flame level.

Check that the fireplace has a right level by using a spirit level.

4, SPECIAL PRECAUTIONS FOR INSTALLATION

- Do not cover the device.
- Do not put objects on the device when functioning.
- Leave a free access to the control buttons.
- Do not leave curtains or lace curtains within 1 meter of the device.
- Do not use in a room with draught.
- Warn people around you, particularly children.

5, POWER SUPPLY CONNECTION

Before positioning, the device must be connected with the socket to the power supply.

Each unit is equipped with a power plug.

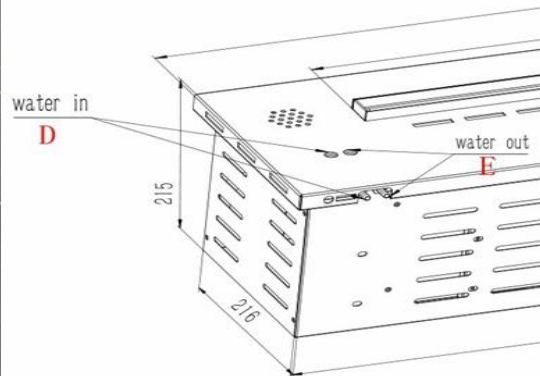
EU Plug/UK Plug/US Plug/AU Plug etc...

110V-240V Power available.

6, FILLING OF THE TANK

About Filling the tank, We use **“Water In” D function.**

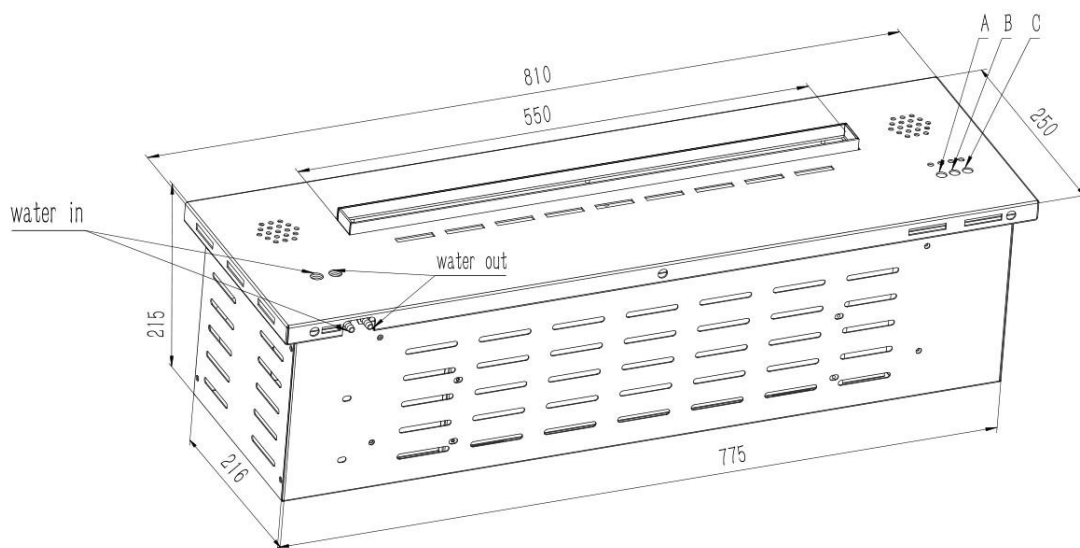
prepare a container with pure water inside, one side of the plastic tube connect to the external tube **“D”** and another side in the pure water container, keep pressing the Button **“D”** for **3 seconds**, the left button **“D”** will turns blue and the pump will automatically pump water into the tank. And pump stop automatically when water comes to maximum level.



Notice:

- NEVER fill the burner directly. ALWAYS the water in filling nozzle of the burner.
- Use only pure water.
- Once the maximum level is reached: a BIP is emitted by the electronic gauge.
- The **“Water Out” E** function is for pumping the water out from the tank.

7, INSTRUCTION OF USE



a) Buttons and LED Light

Button A:ON/OFF Button B:Flame High Button C:Flame Low

b) Turn On

Turn On/Off the device only with the switch ON/OFF Button or the remote controller.

Leave a remote control out reach of Children.

Keep Pressing the Button **A on the Unit For Three SECONDS** or press on the remote control **1 SECOND**, the Lights will automatically light on. After 1 second Water Flame will take place.

Never directly fill up the burner tray.

c) Shutting

Shut down the device with the switch Button A on the unit or Press on the remote control only, The burner will be Off.

8,FUNCTIONING MESSAGE



Light	Anomaly and functions	Solutions
	ON/OFF Light	Burner On/Off Light Turn on the device, the light will be green. Turn off the device, the light will be off.
	Water is filling into the tank.	Water be filling into the tank. Stop filling automatically while water level in the tank comes to Maximum Level and The light will be off.
	No enough water in the tank and the burner will not work.	Use “Water In” to fill water into the tank and the light will be off.
	Water in the tank is not much.	Keep the burner working until the tank is empty or Refill the tank. When the water level in the tank come to maximum level, the light will be off.

WARNING: Your device works with automatic positive safeties, If an error message appears, you can restart the device only if the error has been corrected.

9, MAINTENANCE AND CLEANING

- Only use pure water.
- Clean the burners with a soft rag or cloth.
- Some components are determining the safety and the functioning of your device.
- Use **Water Out E** to discharge the water out absolutely.
- If you want to take the device to another place, please confirm there is no water in the device.
- If you will not use it for more than 10days,please use **Water Out E** to discharge the water out from the burner to keep the tank inside clean.

Their replacement may modify the performances of your device. Only original components must be used during the operations of maintenance, or reparations. This maintenance must only be operated by specialists.

Failure to observe this operating manual and its operating instructions as well as unauthorized tampering with the device releases us from any liability and also invalidates the warranty covering the devices and accessories.

10, COLORS OF THE PANEL AVAILABLE

Mirror Black



Brush Black



Stainless Steel



Brushed Gold



Thank you For Reading.